

The Abingdon™



Design | Technology | Innovation

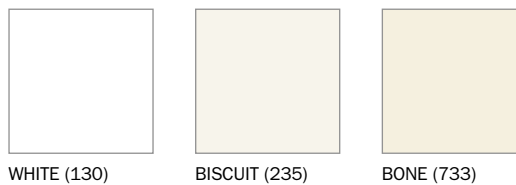
 BRIGGS®




FEATURES

- New wider, more substantial rim
- Stain-resistant vitreous china
- Anti-siphon ballcock
- Wide 2" trapway
- Thetford loop trapway design
- Sanitary bar on bowl for ease of cleaning
- Color-matched trip levers
- Generous 5-year warranty

AVAILABLE COLORS



SPECIFICATIONS

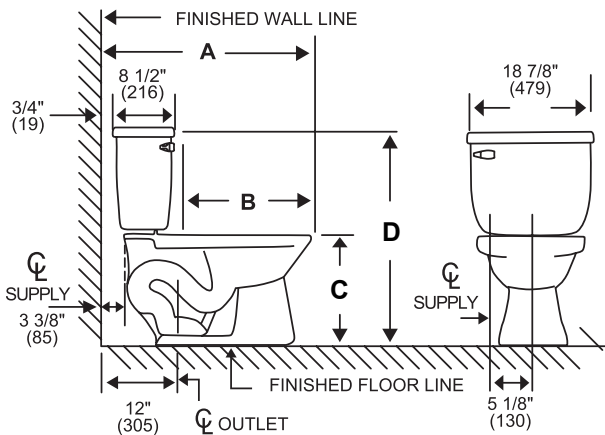
- Model 4759: 12" rough-in round toilet, 69 lb, consists of bowl (Model 4855) and tank (Model 4440)
- Model 4764: 12" rough-in elongated toilet, 72 lb, consists of bowl (Model 4857) and tank (Model 4440)
- Model 4231: 12" rough-in elongated ComfortFit ADA toilet, 77 lb, consists of bowl (Model 4878) and tank (Model 4440) 
- Model 7469: Tank lid for Models 4440/4443, 12 lb

OPTIONS

- Model 4441: 12" rough-in tank and lid w/lid lock, 34 lb
- Model 4442: 12" rough-in tank and lid w/right-hand lever, 34 lb
- Model 4443: 12" rough-in insulated tank and lid, 34 lb
- Model 4443L: 12" rough-in insulated tank and lid w/lid lock, 34 lb
- Model 4444: 10" rough-in tank and lid, 36 lb
- Model 4445: 14" rough-in tank and lid, 35 lb

INSTALLATION

- Installation instructions supplied
- Quick-connect system for easy tank-to-bowl installation



	4759	4764	4231
A	27-3/4" (705)	29-1/2" (749)	30-1/2" (775)
B	16-1/2" (419)	18-1/2" (470)	18-1/2" (470)
C	14-1/2" (368)	14-1/2" (368)	17" (432)
D	28-7/8" (733)	28-7/8" (733)	31" (787)

Dimensions may vary (+) or (-) 1/4". Dimensions shown in parentheses are in millimeters: 25.4 mm = 1 inch. Note: Fixture dimensions are nominal and conform with dimension and performance requirements of ASME/ANSI Standards A112.19.2M. Dimensions subject to change or cancellation without notice. Briggs is not responsible for the use of superseded or voided specification information.